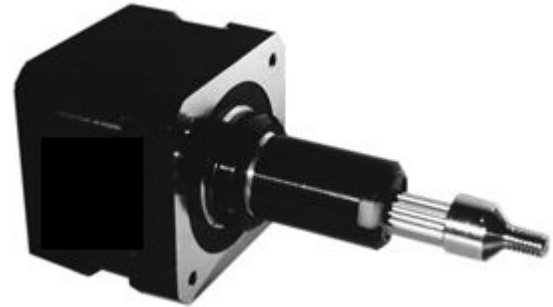


17AH Series - Linear Actuator

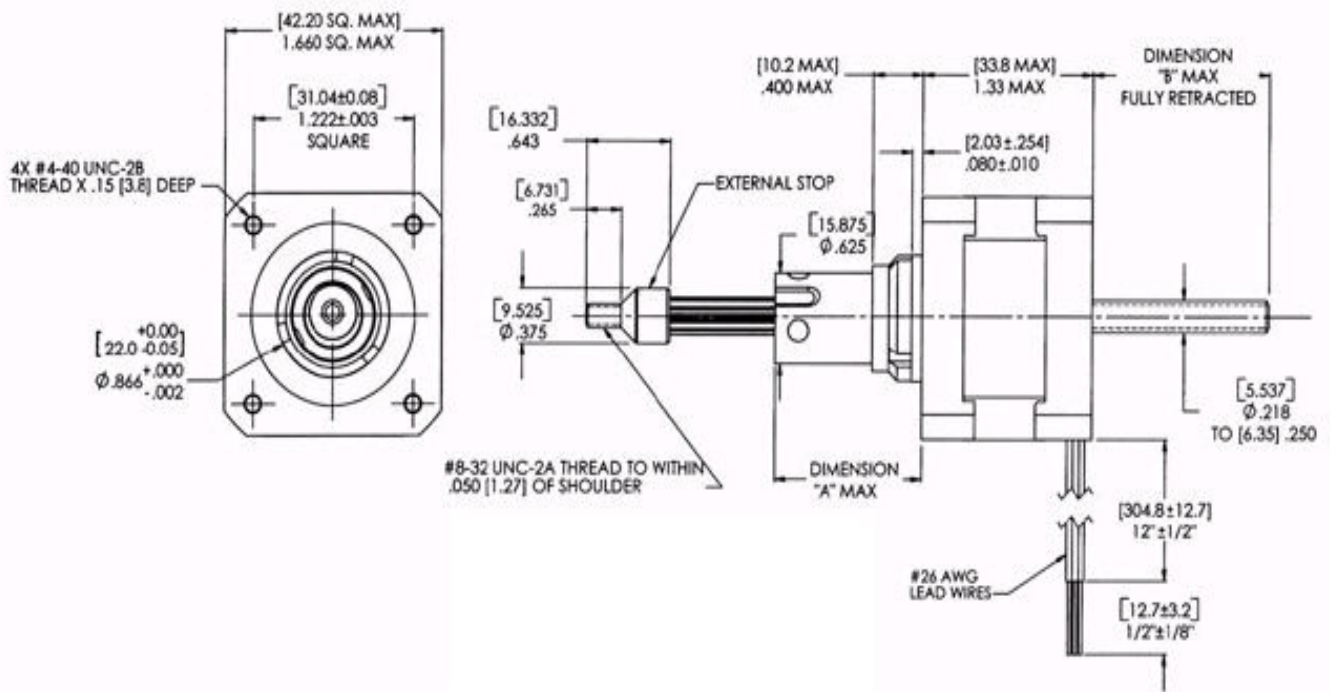


FEATURES

- **NEMA Size 17**
- **Best Selection for Linear Applications**
- **Higher Torque than Other Motor Manufacturers**
- **1.8° Step Angle**
- **Thrust Output capability of 50Lbs**



DIMENSIONS



SPECIFICATIONS

Anaheim Automation's Size 17 hybrid linear actuators are our compact additions to an extensive line of miniature motors. The designs deliver high performance, opening avenues for equipment designers who require performance and endurance in a very small package. These designs are available in external linear and non-captive versions too. The 17AH Series is available in a wide variety of resolutions - from 0.00006" (.0015 mm) per step to 0.00125" (.0317 mm) per step. The Size 17 actuator delivers thrust of up to 50 lbs. Standard motors are Class B rated for maximum temperature of 130C.